

SPECIFICATIONS:

- FREQUENCY: 0.5 GHz TO 18 GHz
- INSERTION LOSS: 3.5 dB MAX. @ 18 GHz
- ISOLATION: 0.5 GHz TO 18 GHz: 40 dB MIN. (TRA2)
0.5 GHz TO 18 GHz: 65 dB MIN. (TRA3)
- VSWR: IN/OUT: 2.0:1
- SPEED: RISE: 10ns TYPICAL, 15ns MAX.
FALL: 10ns TYPICAL, 15ns MAX.
DELAY ON: 75ns TYPICAL, 100ns MAX.
DELAY OFF: 75ns TYPICAL, 100ns MAX.
- POWER SUPPLY: +5V @ 150 mA MAX.
-5V @ 150 mA MAX.
- POWER INPUT: (CW)+20 dBm (STANDARD), +10 dBm (HIGH SPEED)
- SURVIVAL POWER: 1 WATT CW, 10 WATTS PEAK 1 usec
- CONTROL: SEE TABLE I
- SIZE: 1.00" (L) x 1.00" (W) x 0.75" (H)
- WEIGHT: 1.5 OZ. MAX.

OPTIONS:

- SINGLE CONTROL WITH SOLDER PIN STANDARD
- IND-SP INDEPENDANT CONTROL WITH SOLDER PIN
- SMC SMC CONTROL (MALE)
- IND-SMC INDEPENDANT CONTROL WITH SMC CONTROL (MALE)
- 10M18 10 MHz TO 18 GHz (INSERTION LOSS INCREASES BY 1.5db AT 10 MHz AND 0.5db AT 18 GHz)
- 100M18 100 MHz TO 18 GHz (INSERTION LOSS INCREASES BY 1.5db AT 100 MHz AND 0.5db AT 18 GHz)
- 118 1 GHz TO 18 GHz (NO CHANGE IN INSERTION LOSS)
- 218 2 GHz TO 18 GHz (NO CHANGE IN INSERTION LOSS)
- 412 4 GHz TO 12.4 GHz (NO CHANGE IN INSERTION LOSS)
- 618 6 GHz TO 18 GHz (NO CHANGE IN INSERTION LOSS)
- 1218 12 GHz TO 18 GHz (NO CHANGE IN INSERTION LOSS)
- 100M20 100 MHz TO 20 GHz (INSERTION LOSS INCREASES BY 1.5db AT 100 MHz AND 1.0db AT 20 GHz)
- 220 2 GHz TO 20 GHz (INSERTION LOSS INCREASES BY 1.0db AT 20 GHz)
- 1020 10 GHz TO 20 GHz (INSERTION LOSS INCREASES BY 1.0db AT 20 GHz)
- B01 -12V POWER SUPPLIES
- B02 -15V POWER SUPPLIES
- B03 REVERSE LOGIC
- B05 HIGH SPEED, TURNON/TURNOFF 20 nsec MAXIMUM WHEN APPLICABLE OR OPTION HS
- B06 HIGH POWER - SPECIFY CW POWER, PEAK POWER, PULSE WIDTH, DUTY CYCLE, RF FREQUENCY AND BANDWIDTH
- B07 CUSTOM DESIGNED PRODUCT- SPECIFY INITIALS OF CUSTOMER
- B08 LOW VIDEO TRANSIENTS - SPECIFY VIDEO BANDWIDTH
- B09 LOW INSERTION LOSS VERSION
- B10 HIGHER ISOLATION VERSION

ENVIRONMENTAL RATINGS:

- TEMPERATURE: -55°C TO +85°C (OPERATING)
-65°C TO +125°C (STORAGE)
- HUMIDITY: MIL-STD-202F, METHOD 103B COND. B
- SHOCK: MIL-STD-202F, METHOD 213B COND. B
- VIBRATION: MIL-STD-202F, METHOD 204D COND. B
- ALTITUDE: MIL-STD-202F, METHOD 105C COND. B
- TEMPERATURE CYCLE: MIL-STD-202F, METHOD 107D COND. A

NOTE: THE ABOVE SPECIFICATIONS ARE SUBJECT TO CHANGE OR REVISION

ALL DIMENSIONS ARE IN INCHES
TOLERANCES:

X.XX ±0.020
X.XXX ±0.010

REVISIONS				
ZONE	REV.	DESCRIPTION	DATE	APPROVED
-	-	ORIGINAL RELEASE	1/15/99	

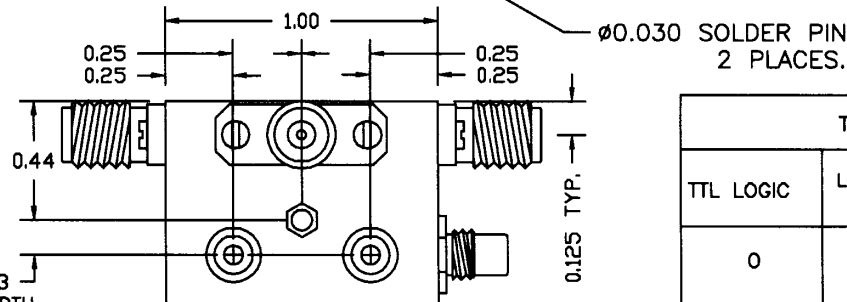
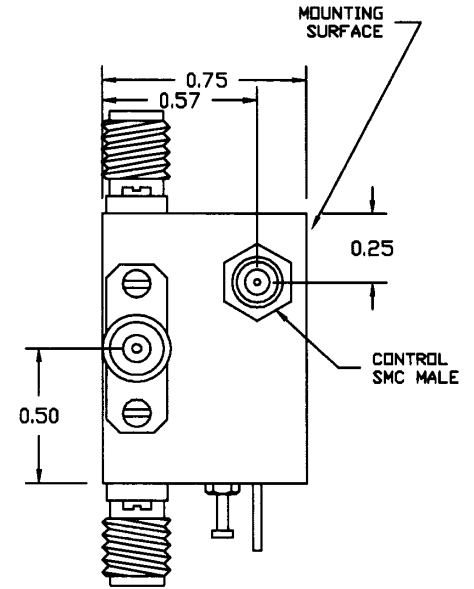
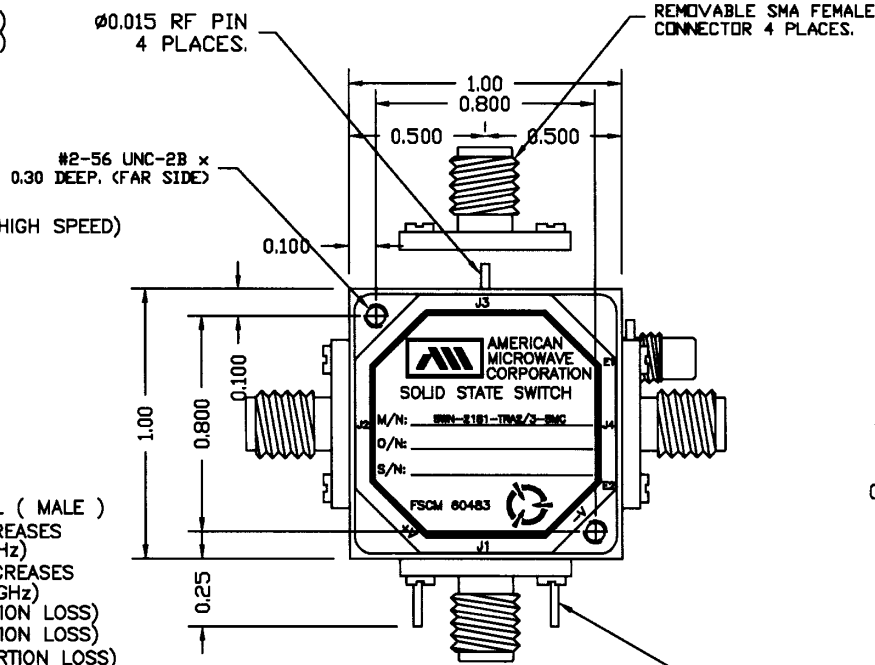


TABLE I

TTL LOGIC	LOW LOSS PATH	ISOLATED PATH
0	J1-J2 J3-J4	J1-J4 J2-J3
1	J1-J4 J2-J3	J1-J2 J3-J4

NOTE:
DR=WITH DRIVER, REFLECTIVE
DT=WITH DRIVER, NON-REFLECTIVE/ABSORPTIVE

CONTRACT NO.		AMERICAN MICROWAVE CORPORATION FREDERICK, MARYLAND		
APPROVALS	DATE	TITLE		
DRAWN K SIMMS	1/15/99	OUTLINE DRAWING SWN-2181-TRA2/3-SMC TRANSFER SWITCH		
CHECKED		SIZE A	FSCM NO. 60483	DWG NO. 100-4706-6
ISSUED		SCALE N/S		REV. -
				SHEET 1 of 1